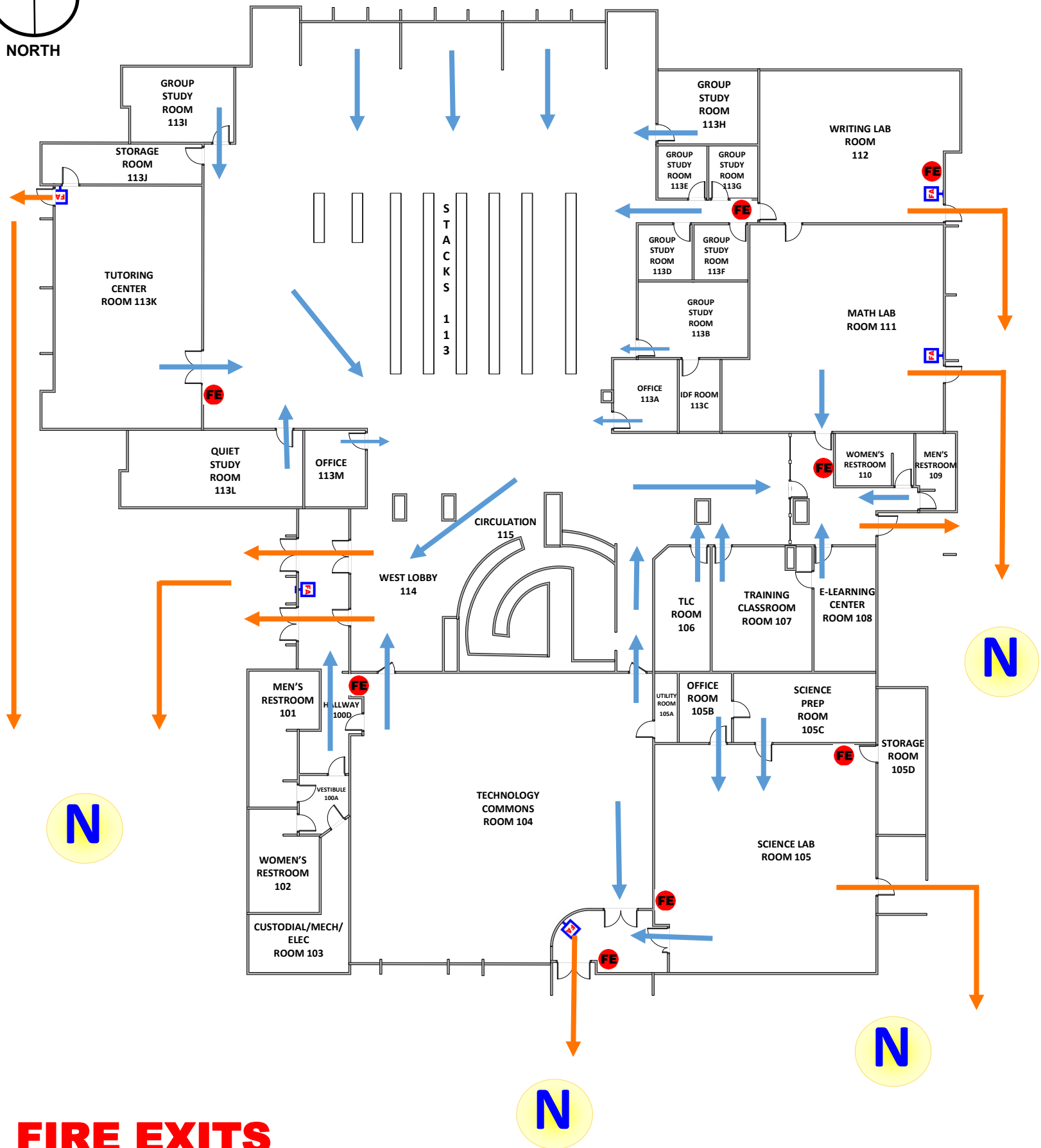




NORTH

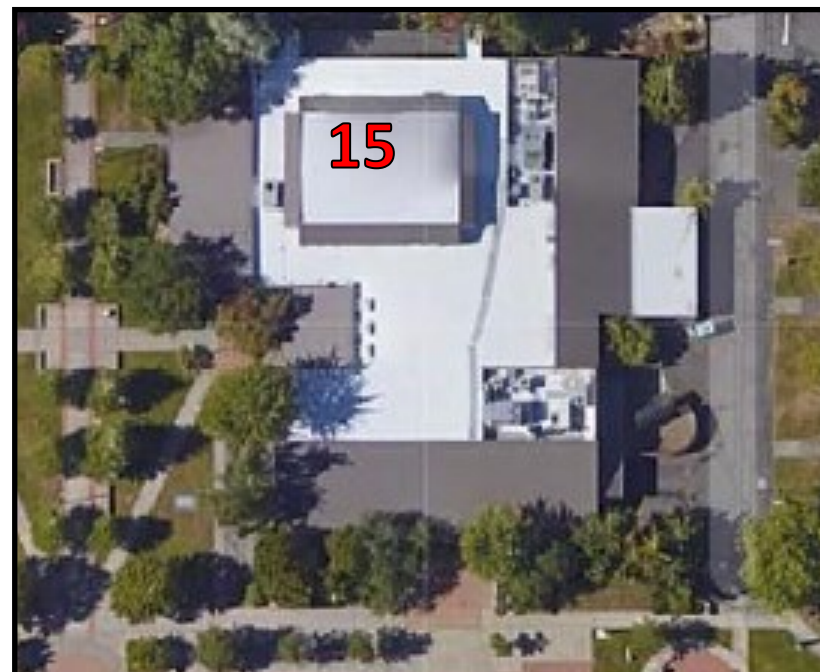


**FIRE EXITS**

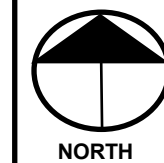
# FIRE EXIT PLAN

## BUILDING 15

REV. 04-21-2022



### GATHERING AREAS PLAN REVISED 04-21-2022



NORTH

LEGEND		
	DESIGNATED AREA	

- FIRE EXTINGUISHER
- FIRE ALARM PULL STATION

SITE GATHERING AREA

**IN THE EVENT OF AN EMERGENCY  
 EXIT THE BUILDING SAFELY  
 GATHER IN DESIGNATED AREAS  
 AWAIT FURTHER INSTRUCTIONS**